

**DRE270615L****Weidmüller Interface GmbH & Co. KG**

Klingenbergstraße 26

D-32758 Detmold

Germany

www.weidmueller.com

**Product image**

Relay from the D-SERIES DRE.

- 2 or 4 CO contacts
- Compact design
- Wide range of coil voltages
- Integrated with test button (AC red, DC blue)
- Integrated with status display (AC red, DC green) and/or free-wheel diode

**General ordering data**

Version	D-SERIES DRE, Relay, Number of contacts: 2, CO contact, Ag alloy, Rated control voltage: 115 V AC, Continuous current: 5 A, Plug-in connection
Order No.	<a href="#">7760054278</a>
Type	DRE270615L
GTIN (EAN)	6944 1697 19868
Qty.	20 pc(s).
Local product	Only available in certain countries

Creation date September 15, 2023 5:14:06 AM CEST

Catalogue status 01.09.2023 / We reserve the right to make technical changes.

**DRE270615L****Weidmüller Interface GmbH & Co. KG**

Klingenbergstraße 26

D-32758 Detmold

Germany

www.weidmueller.com

**Technical data****General ordering data**

Local product	Only available in certain countries
---------------	-------------------------------------

**Dimensions and weights**

Depth	35.4 mm	Depth (inches)	1.394 inch
Height	27.2 mm	Height (inches)	1.071 inch
Width	21 mm	Width (inches)	0.827 inch
Net weight	35 g		

**Temperatures**

Storage temperature	-40 °C...85 °C	Operating temperature	-40 °C...55 °C
Operating temperature, min.	-40 °C	Operating temperature, max.	55 °C
Humidity	35...85 % rel. humidity, no condensation		

**Rated data UL**

Certificate No. (cURus)	E312083
-------------------------	---------

**Control side**

Rated control voltage	115 V AC	Rated current DC	12.6mA/10.8mA
Power rating	1.0...1.2VA (60HZ)	Pull-in/drop-out voltage, typ.	92V / 34.5V
Coil resistance	4430 Ω ± 10%	Status indicator	red LED

**Load side**

Rated switching voltage	250 V AC	Continuous current	5 A
Max. switching voltage, AC	250 V	AC switching capacity (resistive), max.	1250 VA
DC switching capacity (resistive), max.	120W @ 24V	Switch-on delay	< 20 ms
Switch-off delay	< 20 ms	Contact type	2 CO contact (Ag alloy)
Mechanical service life	10 x 10 <sup>6</sup> switching cycles	Min. switching power	10 mA @ 12 V

**General data**

Test button available	Yes	Version of test button	not lockable
Mechanical switch position indicator	Yes	Colour	Transparent
UL 94 flammability rating	V-2		

**Insulation coordination**

Rated voltage	250	Pollution severity	2
Surge voltage category	III	Dielectric strength for control side - load side	2 kV <sub>eff</sub> / 1 min
Dielectric strength of neighbouring contacts	1 kV <sub>eff</sub> / 1 min	Protection degree	IP20

**Further details of approvals / standards**

Certificate No. (cURus)	E312083
-------------------------	---------

**DRE270615L**

**Weidmüller Interface GmbH & Co. KG**  
 Klingenbergstraße 26  
 D-32758 Detmold  
 Germany

[www.weidmueller.com](http://www.weidmueller.com)

**Technical data****Connection data**

Wire connection method	Plug-in connection
------------------------	--------------------

**Classifications**

ETIM 6.0	EC001437	ETIM 7.0	EC001437
ETIM 8.0	EC001437	ETIM 9.0	EC001437
ECLASS 9.0	27-37-16-01	ECLASS 9.1	27-37-16-01
ECLASS 10.0	27-37-16-01	ECLASS 11.0	27-37-16-01
ECLASS 12.0	27-37-16-01	ECLASS 13.0	27371601

**Environmental Product Compliance**

REACH SVHC	Lead 7439-92-1
------------	----------------

**Approvals**

Approvals



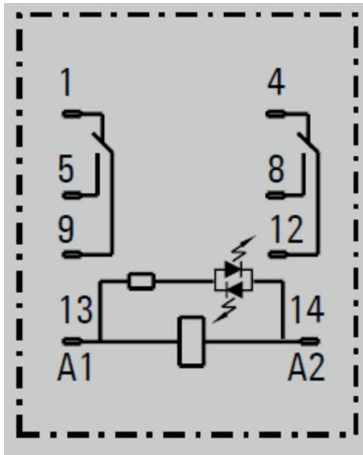
ROHS	Conform
UL File Number Search	UL Website
Certificate No. (cURus)	E312083

**Downloads**

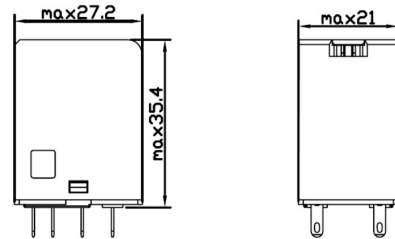
Approval/Certificate/Document of Conformity	<a href="#">EU Declaration of Conformity</a>
Catalogues	<a href="#">Catalogues in PDF-format</a>

Drawings

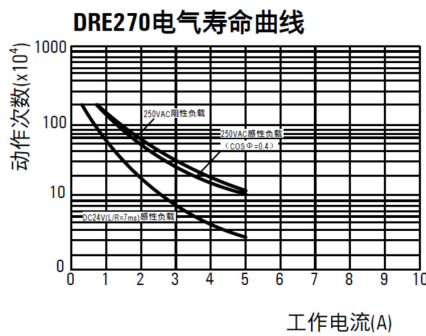
Wiring diagram



Dimensional drawing

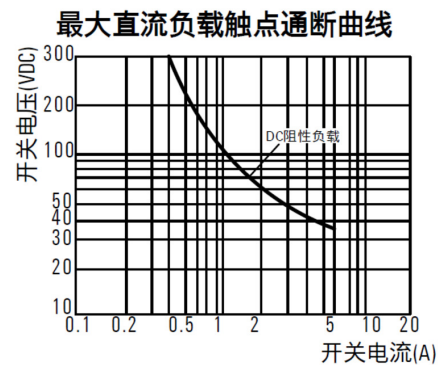


Graph



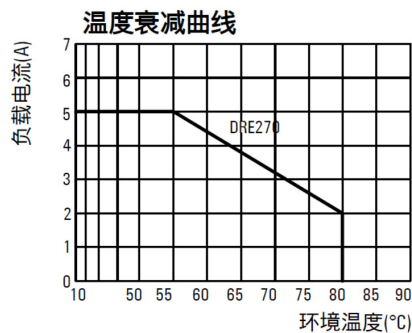
Electrical service life

Graph



DC load limit curve Resistive load

Graph



Derating curve Relay in combination with base

**Data sheet**

**DRE270615L**

**Weidmüller Interface GmbH & Co. KG**  
 Klingenbergstraße 26  
 D-32758 Detmold  
 Germany

www.weidmueller.com

**Drawings**

**Miscellaneous**



Type codes